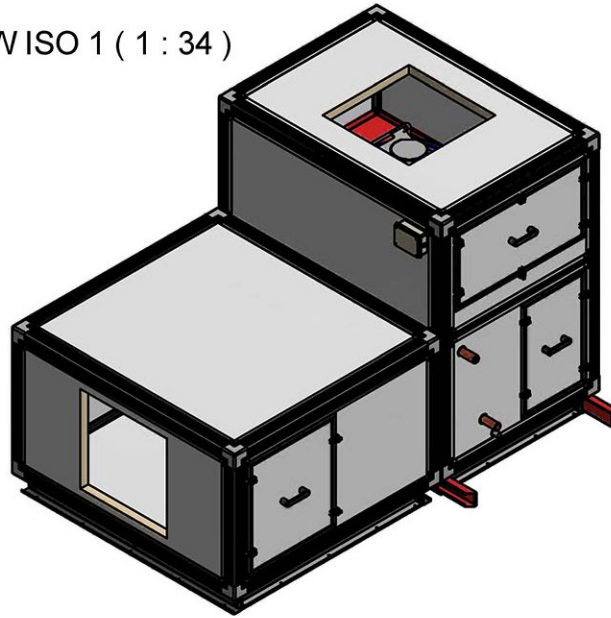
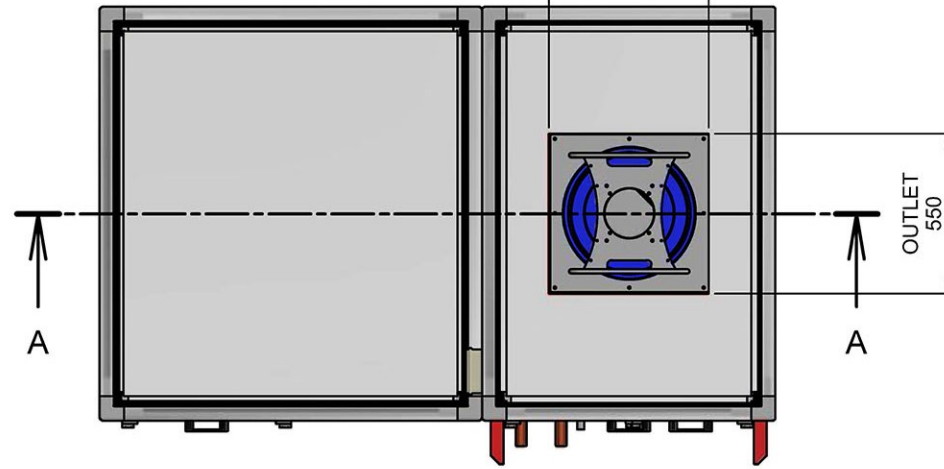


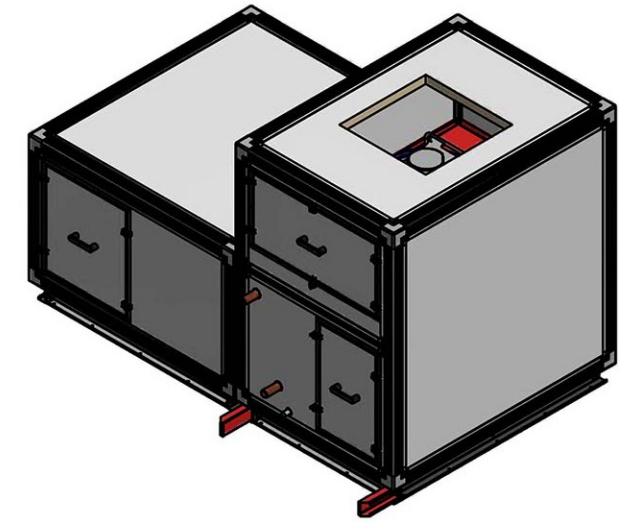
VIEW ISO 1 ( 1 : 34 )



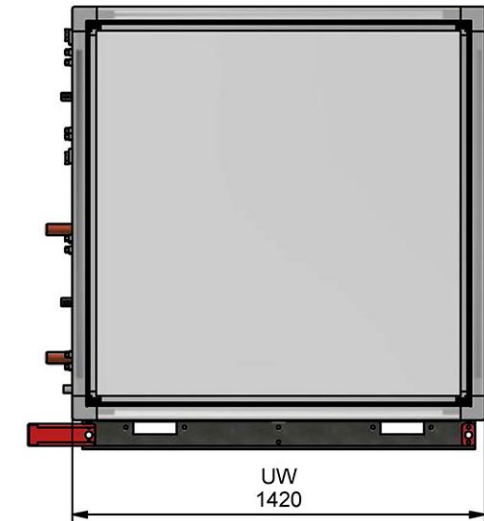
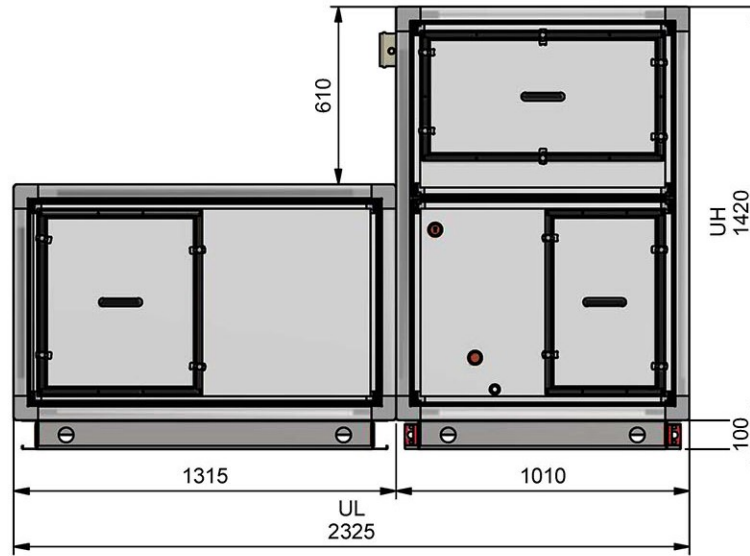
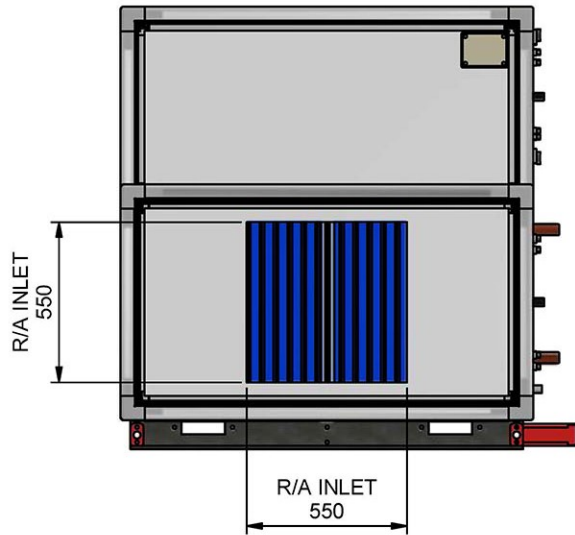
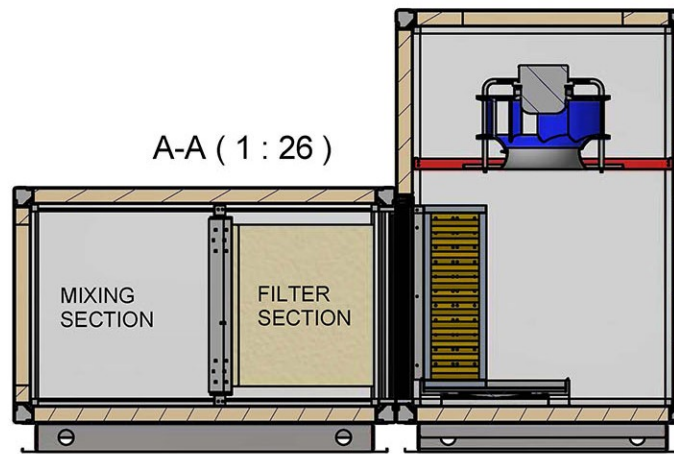
OUTLET  
550



VIEW ISO 2 ( 1 : 34 )



A-A ( 1 : 26 )



MAX R/A INLET (HORIZONTAL) : 570X1180MM  
 MAX O/A INLET (VERTICAL) : 480X1180MM  
 MAX S/A (HORIZONTAL) : 380X1195MM  
 MAX S/A (VERTICAL) : 770X1195MM

UNLESS OTHERWISE SPECIFIED  
 DIMENSIONS ARE IN MILLIMETERS  
 BREAK AND DEBUR ALL SHARP EDGES

3rd ANGLE  
 PROJECTION

DO NOT SCALE DRAWING

Rev	By	Date	Description
/00	Toh	22/03/2017	Initial Released

Fantech Pty Ltd. © A.C.N. 005 434 024  
 45 NESTOR DRIVE, MEADOWBROOK, QUEENSLAND, AUSTRALIA. 4131  
 TELEPHONE: (07) 32 999 888 FACSIMILE: (07) 32 999 800



DRAWN: Toh DATE: 22/3/2017  
 CHKD: Sean DATE: --  
 APPRD: JT DATE: --

General Layout  
 ME2B-V204/G3-FPL,  
 GR40(115514)x1

DRAWING NO: 868-8030-2204 REV: /00 SCALE: 1 : 26 SIZE: A3